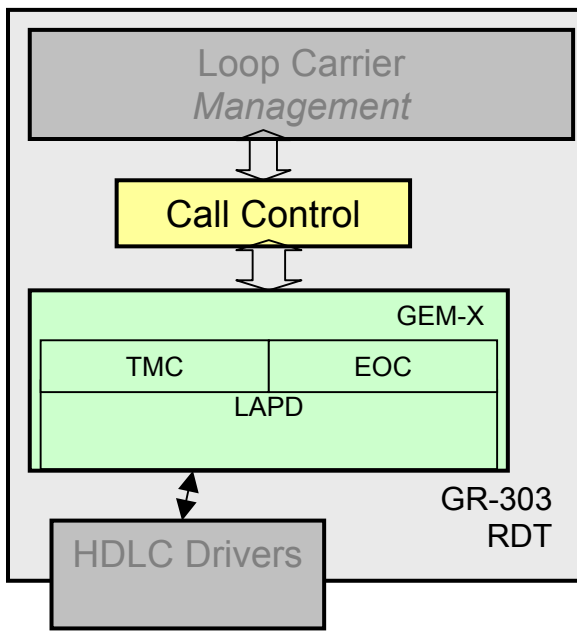


GR-303 Express

The GR-303 Express (GEM-X) is an integrated software product suite that builds upon EDI Enterprises' popular GEM product. The GR-303 Express revolutionizes GR-303 implementation by providing a single-vendor, complete stack from LAPD all the way up to the EOC and TMC protocols. RDT and IDT vendors who already support GR-303 hardware and driver requirements will be amazed at how quickly they will be making calls.



Features:

- Supports IDT and RDT interfaces.
- Proven implementation for LAPD/Q.921:
 - Optional real-time calculation of data link layer statistics.
 - Includes customizations specified in GR-303-CORE.
- Proven implementation of Q.931 as per GR-303-CORE.
 - Traditional Q.931 primitive interface and simplified API interfaces provided.
- Proven EOC implementation:
 - The GEM-X implementation educates developers on what portions of the EOC are important.
 - Default MIB provided with compact object data representation.
- Integrated EOC and TMC path protection switching state machine.
- Integrated analog line state machine.
- Integrated RDT alarm generation system that can be configured based on the switch type.
- EOC and TMC software can be integrated to customer-provided LAPD/Q.931.
- Interoperability tested against popular switching and loop carrier systems.
- Interoperability tested at Telcordia.
- Written and delivered in ANSI C.
- Compact code and data usage is ideal for embedded, real-time environments.
- GEM-X modules adhere to a common, platform-independent architecture that utilizes the tasking structure available from the customer RTOS.
- Single-board implementations can often be integrated to customer HDLC, RTOS, and IPC by an EDI engineer within one week!
- Optional integration packages available from EDI provide different levels of integration support dependant on customer need.
- GEM-X is a loosely coupled suite of products allowing component products to be distributed to different hardware components in a system.
- Integrated hardware redundancy support.
- Single-vendor source ensures efficient problem resolution. All source code modules have been developed in-house.
- GR-303 and GEM-X product training included with purchase price.
- Example application code provides developers a hands-on jump-start in using the GEM-X software.
- GEM-X can coexist in the same running software with other EDI protocol products (e.g. V5-X and ISD-X).
- Code tracing and event/state display debug facilities included. Debug facilities can be compiled out to save code space. When compiled in, they can be selectively enabled at runtime.
- Extensions available for Nortel P-Phone.